

# BORLA®

## PROXS

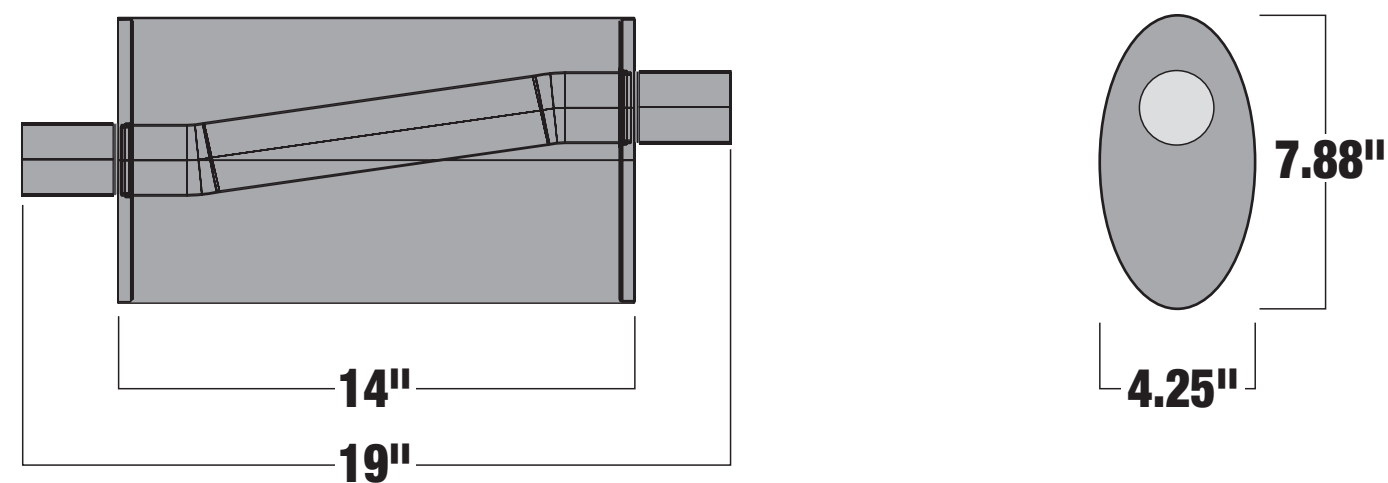


TOLL FREE **877.85BORLA**  
(877-852-6752)

Visit our website at: [www.borla.com/installer](http://www.borla.com/installer)

### 4.25" x 7.88" OVAL

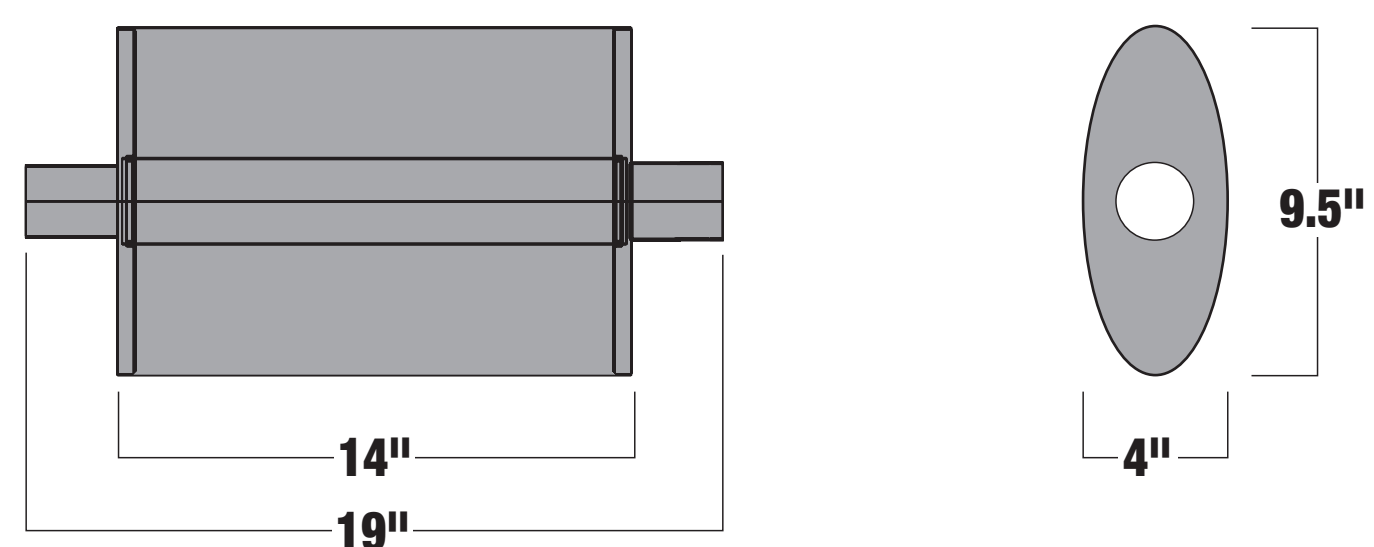
#### CENTER / OFFSET



Inlet Diameter I.D.	Outlet Diameter I.D.	Un-Notched Part #	Notched Part #	Clamp Part # & Qty.
2"	2"	40657	400477	18302 (2)
2.25"	2.25"	40658	400479	18322 (2)
2.5"	2.5"	40659	400481	18325 (2)

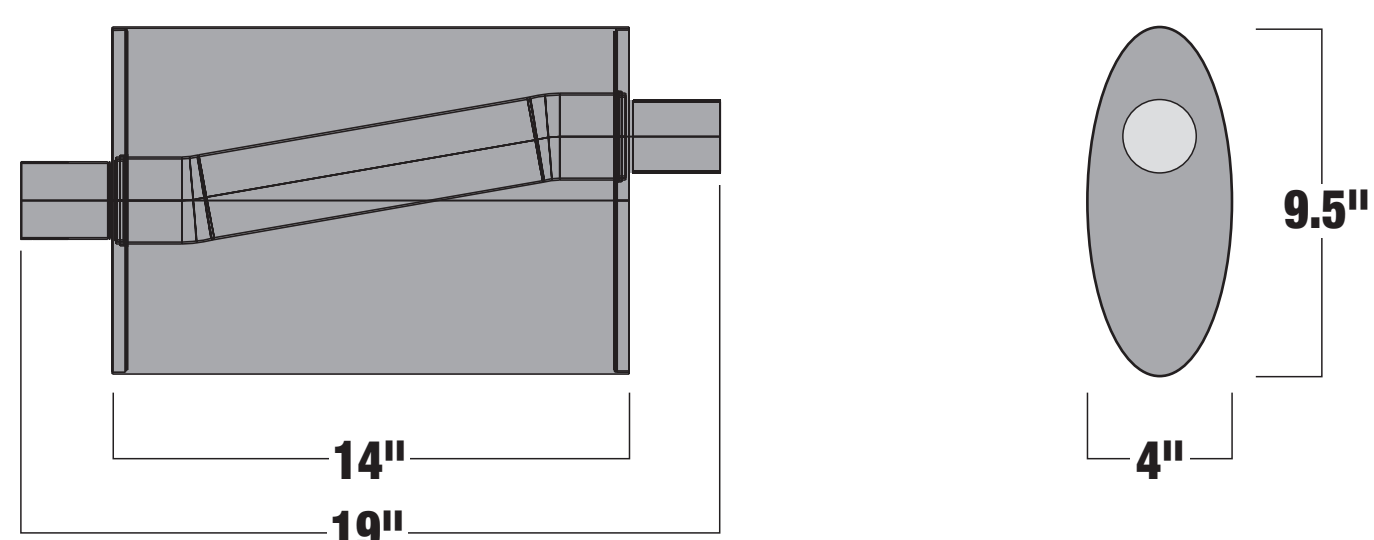
### 4" x 9.5" OVAL

#### CENTER / CENTER



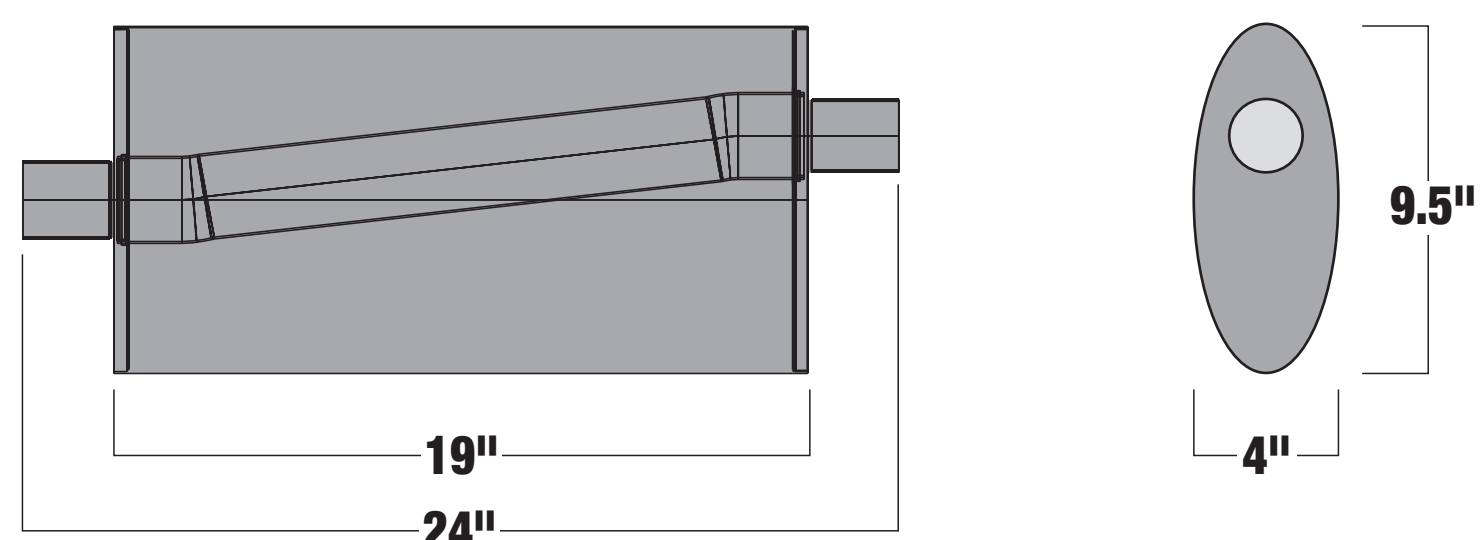
Inlet Diameter I.D.	Outlet Diameter I.D.	Un-Notched Part #	Notched Part #	Clamp Part # & Qty.
2"	2"	40347	400494	18302 (2)
2.25"	2.25"	40363	400495	18322 (2)
2.5"	2.5"	40364	400496	18325 (2)

#### CENTER / OFFSET



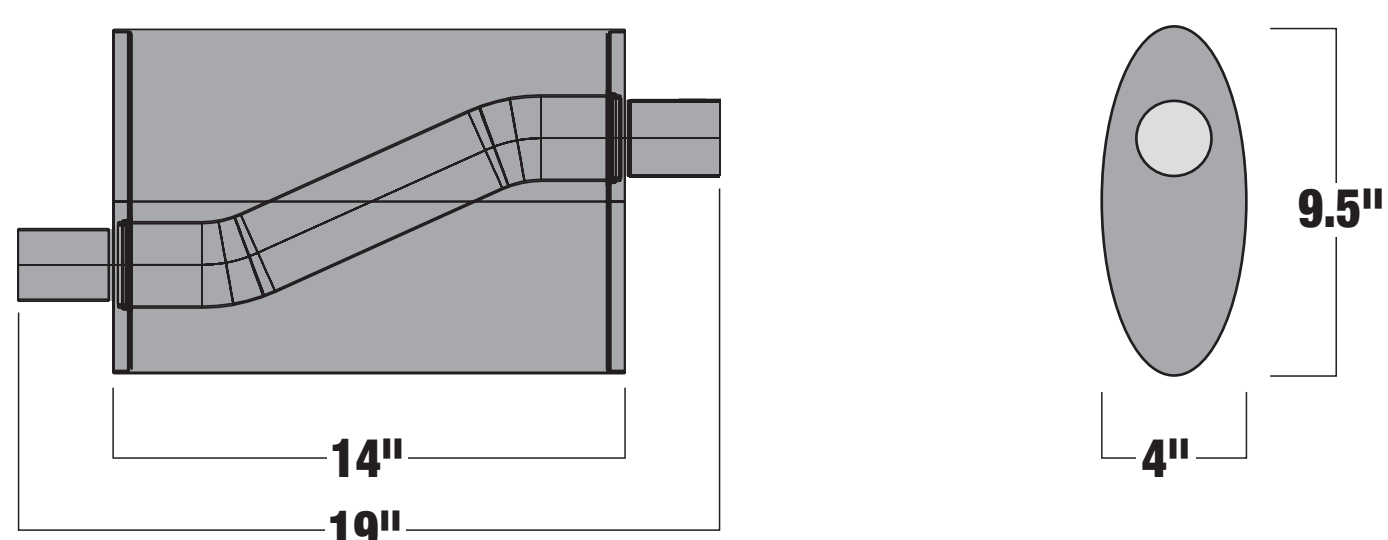
Inlet Diameter I.D.	Outlet Diameter I.D.	Un-Notched Part #	Notched Part #	Clamp Part # & Qty.
2"	2"	40344	400476	18302 (2)
2.25"	2.25"	40357	400478	18322 (2)
2.5"	2.5"	40358	400480	18325 (2)
3"	3"	40359	400482	18330 (2)

#### CENTER / OFFSET



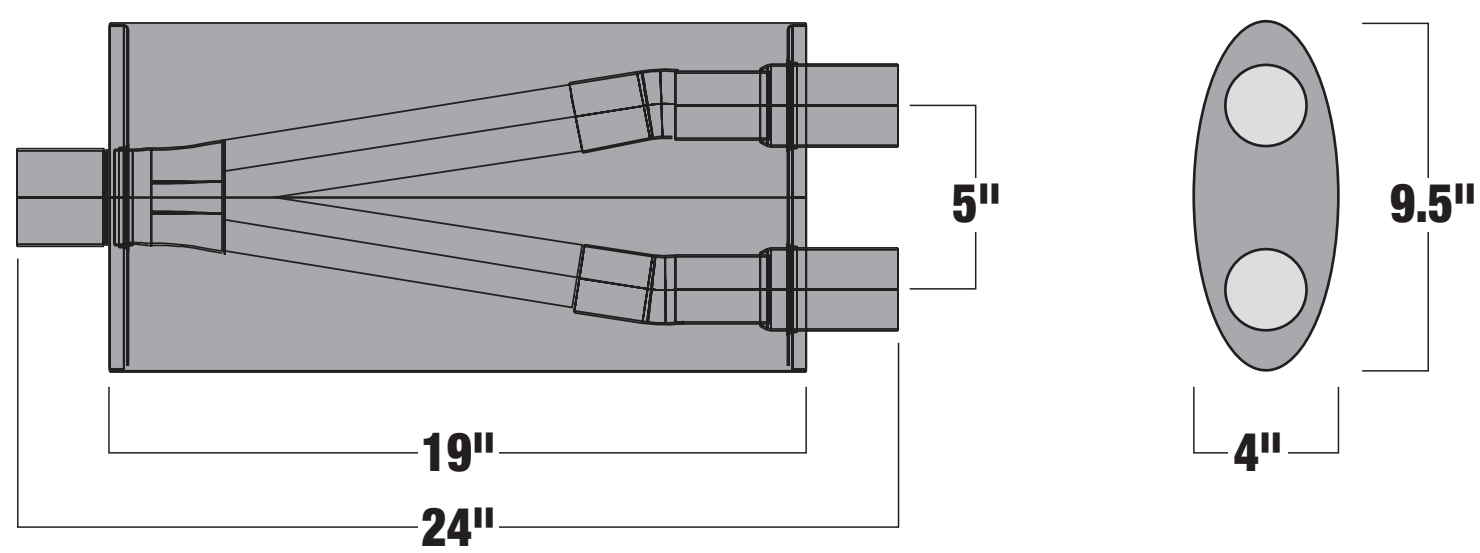
Inlet Diameter I.D.	Outlet Diameter I.D.	Un-Notched Part #	Notched Part #	Clamp Part # & Qty.
2.25"	2.25"	40664	400483	18322 (2)
2.5"	2.5"	40665	400484	18325 (2)

#### OFFSET / OFFSET



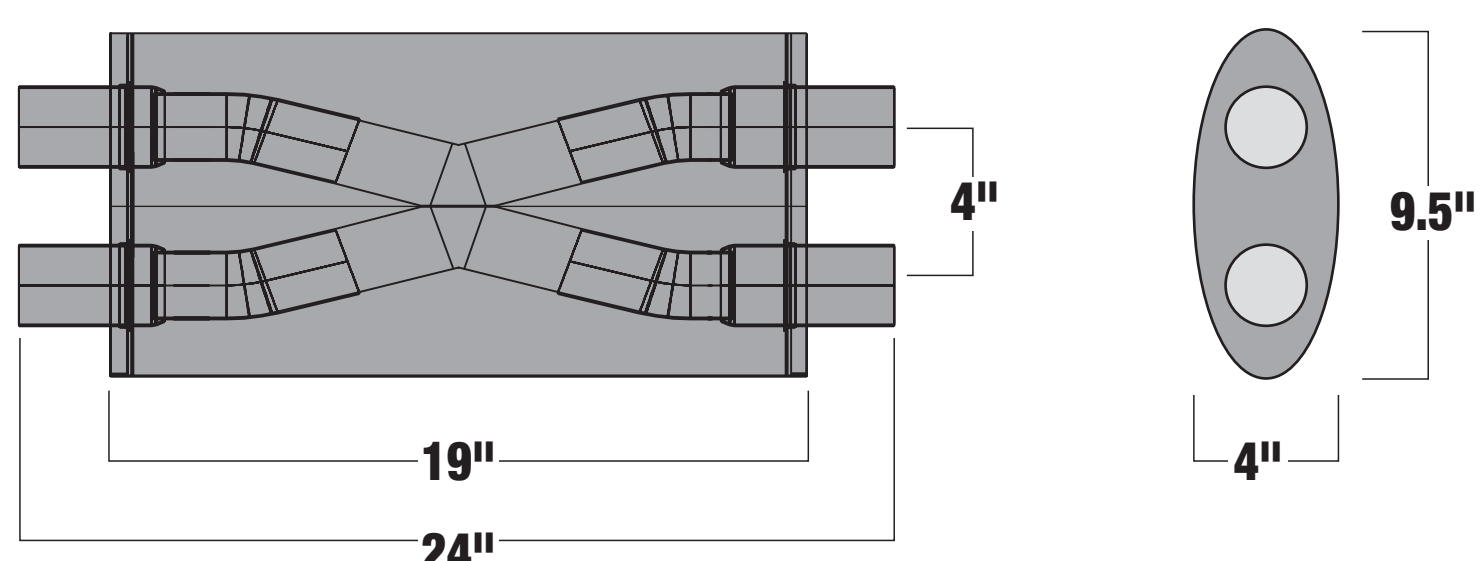
Inlet Diameter I.D.	Outlet Diameter I.D.	Un-Notched Part #	Notched Part #	Clamp Part # & Qty.
2"	2"	40346	400488	18302 (2)
2.25"	2.25"	40351	400489	18322 (2)
2.5"	2.5"	40352	400490	18325 (2)
3"	3"	40353	400491	18330 (2)

#### CENTER / DUAL



Inlet Diameter I.D.	Outlet Diameter I.D.	Un-Notched Part #	Notched Part #	Clamp Part # & Qty.
2.5"	2.5"	40348	400485	18325 (3)
3"	2.25"	40670	400486	18330 (1) 18322 (2)
3"	2.5"	40349	400487	18330 (1) 18325 (2)

#### DUAL / DUAL



Inlet Diameter I.D.	Outlet Diameter I.D.	Un-Notched Part #	Notched Part #	Clamp Part # & Qty.
2.25"	2.25"	400287	400492	18322 (4)
2.5"	2.5"	400286	400493	18325 (4)



**NOTE:** if you do not find the muffler size that you are looking for, please check the Pro Installer catalog or visit [www.borla.com/installer](http://www.borla.com/installer)

- T-304 stainless steel will never rust.
- 100% welded construction for strength.
- Free-flow design for improved performance.
- High-temperature continuous-filament fiber (CFF) acoustic material for sound control.
- Natural mill finish can be brushed or polished.
- Reversible design for installation flexibility.
- Recommended for car, SUV and truck applications.

