



Thank you for purchasing a Borla Performance™ Stainless Steel Header.

Precision manufactured using aircraft quality T-304 stainless steel; this header is designed to endure years of heavy use. Installing the Borla Performance Stainless Steel Header on your vehicle will eliminate the restrictive design of the stock exhaust manifolds, allowing your engine to discharge exhaust gas easier. The result is more horsepower and torque and longer engine life, with easy bolt-on installation. These installation instructions have been written to help you in the installation of your Borla Performance Stainless Steel Header. Please read it completely before attempting installation.

This Borla Performance Stainless Steel Header (Part number 17077) has been designed for the 1996-2002 Dodge Dakota and 1500/2500/3500/T300 series trucks equipped with the 5.2L/5.9L engine and automatic or manual transmissions.

Borla Performance Industries recommends that an exhaust shop or professional after market parts installer, who has all the necessary equipment, tools and experienced personnel needed for proper installation, should perform the installation of this system. However, if you decide to perform the installation, we recommend someone should help you. Ensure the installer uses all under car safety precautions including eye protection.

Please take time to read and understand the following...

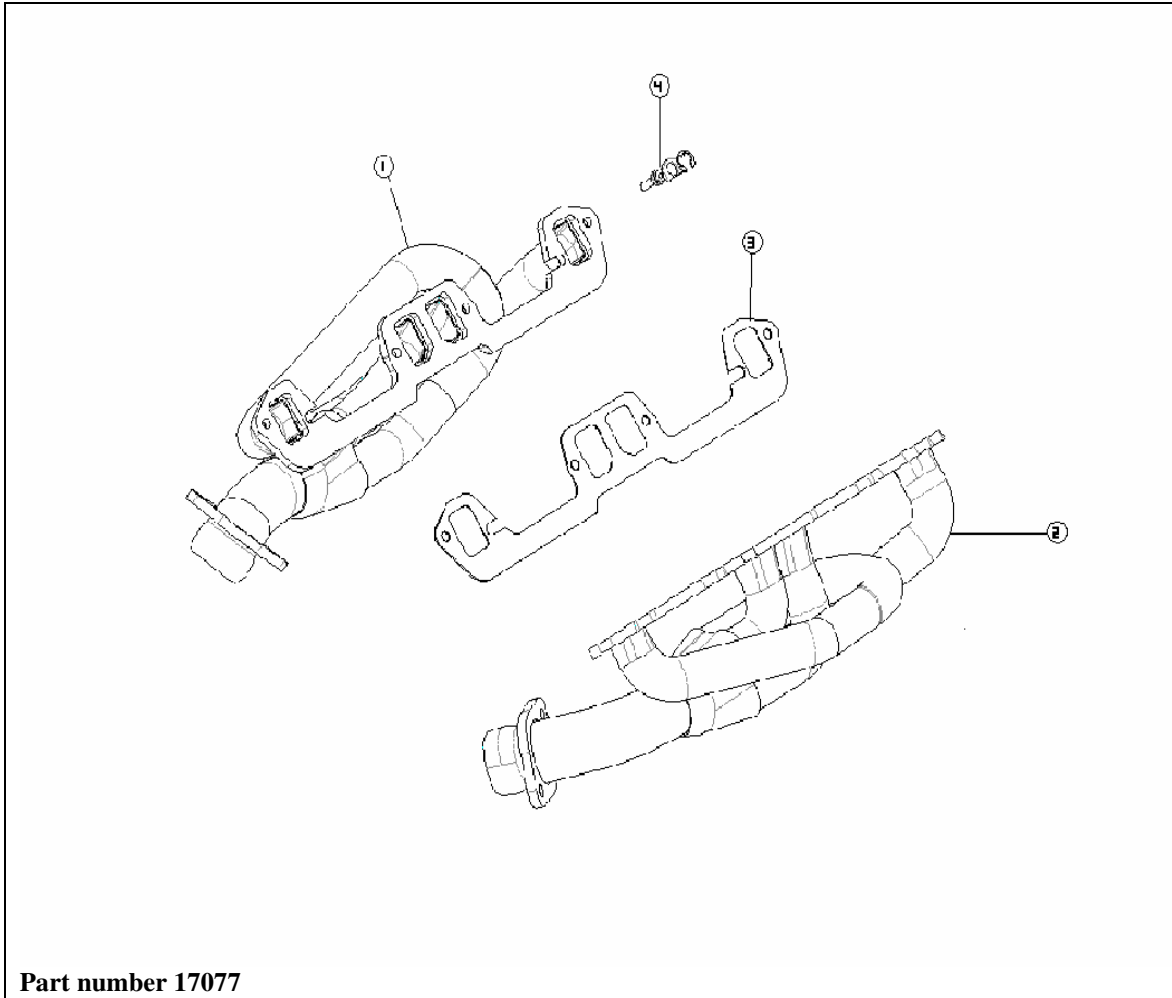
By installing your Borla Performance Stainless Steel Header, you indicate that you have read this document and you agree with the terms stated below.

It is the responsibility of the purchaser to follow all installation instruction guidelines and safety procedures supplied with your Borla Performance Stainless Steel Header.

Borla Performance Industries assumes no responsibility for damages occurring from misuse, abuse, improper installation, improper operation, lack of responsible care, or all previously stated reasons resulting from incompatibility with other manufacturer's products and/or systems.

Included with your Borla Performance Stainless Steel Header is a warranty card. Please read it carefully before you begin any work on your vehicle. If you should have any questions regarding our warranty policy, installation, or any other matter pertaining to your new Borla performance Stainless Steel Header, please give us a call at the number provided on the warranty card.

Borla Performance Stainless Steel Header Bill of Materials



1. Left header assembly
2. Right header assembly
3. Header gasket (qty 2)
4. Stage 8 locking header bolt kit

Caution!!! Never work on a hot exhaust system. Serious injury in the form of burns can result If the vehicle has been in use and the exhaust system is hot, allow vehicle to cool for at least 1 hour. Always wear eye protection when working underneath any vehicle.

Note: It is our recommendation that you use a hoist or hydraulic lift to facilitate the installation of your new Borla Performance Stainless Steel Header.

Note: Before removing the original exhaust manifolds from your vehicle, please compare the parts you have received with the bill of materials provided on the previous page to assure that you have all the parts necessary for the installation of your new Borla Performance Stainless Steel Header.

Original Exhaust Manifold Removal

Note: With a used vehicle, we suggest a penetrating spray lubricant to be applied liberally to all exhaust fasteners and allowing a significant period of time for the chemical to lubricate the threads before attempting to disassemble.

1. Disconnect vehicles battery.
2. Remove air intake duct shown in figure 1.
3. Taking all under car safety precautions, lift the vehicle using a hoist or hydraulic lift.
4. Disconnect flanges shown in figure 2 connecting the Y-pipe to the exhaust manifolds.



Figure 1

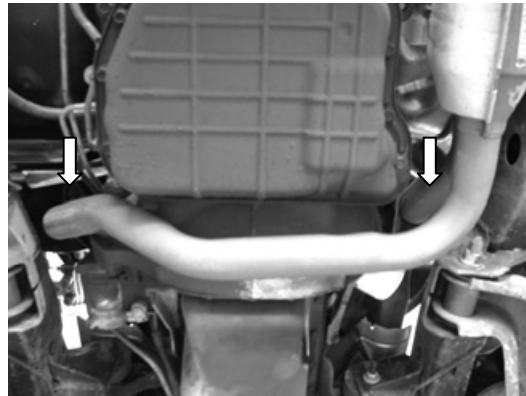


Figure 2

5. Beginning with the driver side of vehicle, unbolt the hardware securing the exhaust manifold to the cylinder head. Remove exhaust manifold from vehicle as shown in figure 3.



Figure 3

6. Repeat step 4 for removal of passenger side exhaust manifold.
7. Remove the studs from each cylinder head.
8. Using a gasket scraper, remove any debris such as carbon deposits or gasket pieces from the mounting surfaces of the cylinder heads.

You are now ready for the installation of your new Borla Performance Stainless Steel Header.

Borla Performance Stainless Steel Header Installation

Warning: Use extreme caution during installation. Torque all fasteners according to manufacturer's torque values and tightening sequence. **DO NOT** use air impact tools to tighten fasteners on Borla Performance Stainless Steel Headers. Use of such tools may result in bent flanges or gasket contact areas leading to exhaust leaks.

1. Using the gaskets and hardware supplied, place the Borla Performance Stainless Steel headers in position as shown in figure 4. Torque header bolts to 23-33 ft. lbs. DO NOT install the locks and clips at this time.
2. Using the original hardware, secure the flanges as the one shown in figure 5 connecting each header to the Y-pipe assembly.

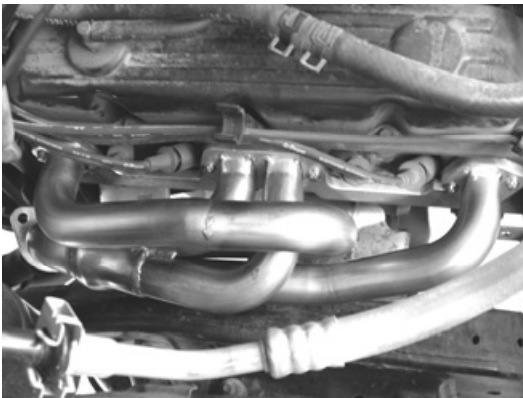


Figure 4

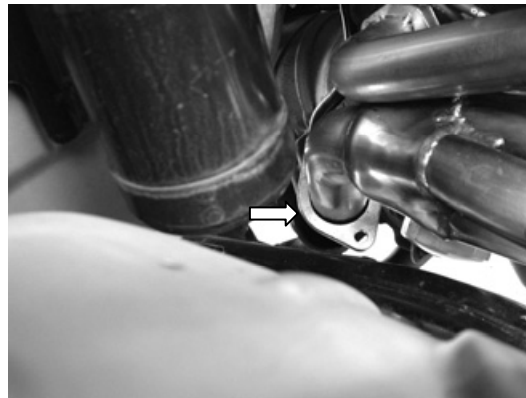


Figure 5

3. Install air inlet duct shown in figure 1.
4. Reconnect vehicles battery.
5. Before starting your vehicle, make sure to check all wires and hoses for safe clearance from the Header.
6. Start vehicle and check for any leaks. If any leaks are found, determine cause (such as loose hardware or incorrectly positioned gasket) and repair as necessary.
7. Allow headers to reach normal operating temperature then shut engine off. Allow headers to cool and re-torque all hardware to 23-33 ft. lbs.
8. Install locks and clips as instructed by your Stage 8 installation instructions.

Note: When you first start your vehicle after the installation of your new Borla Performance Stainless Steel Header, there may be some smoke and fumes coming from the Header. This is a protective oil based coating used in the manufacturing of mandrel bent performance exhaust tubing. This is not a problem and will disappear within a very short period of time after the Header has reached normal operating temperatures.

Congratulations!!! You have completed the installation of the world famous Borla Performance Stainless Steel Header.