

## Installation Guide for Nissan Frontier

PNs 140919, 140919BC



**\*\*\*\*\* Please compare the parts in the box with the bill of materials provided \*\*\*\*\*  
to assure that you have all the parts necessary for this installation.**

These instructions have been written to help you with the installation of your Borla Performance exhaust system. Please read this document completely before beginning the installation of your system.

To ensure this part number fits your specific model year, please visit our website for the latest model year listings at [www.BORLA.com](http://www.BORLA.com)

Thank you for purchasing a Borla Performance Cat-Back™ exhaust system.

Borla Performance Cat-Back™ exhaust systems PNs 140919, 140919BC are designed for the Nissan Frontier equipped with a 3.8L V6 engine and 2WD or 4WD automatic transmission.

Borla Performance Industries recommends that an exhaust shop or professional after market parts installer, who has all the necessary equipment, tools and experienced personnel needed for proper installation, should perform the installation of this system. However, if you decide to perform the installation, we recommend someone should help you. Ensure the installer uses all under car safety precautions including eye protection.

*Please take time to read and understand the following...*

By installing your Borla Performance exhaust system, you indicate that you have read this document and you agree with the terms stated below.

It is the responsibility of the purchaser to follow all installation instruction guidelines and safety procedures supplied with your Borla Performance exhaust system.

Borla Performance Industries assumes no responsibility for damages occurring from misuse, abuse, improper installation, improper operation, lack of responsible care, or all previously stated reasons resulting from incompatibility with other manufacturer's products and/or systems.

Included with your Borla Performance exhaust system is a warranty card. Please read it carefully before you begin any work on your vehicle. If you should have any questions regarding our warranty policy, installation, or any other matter pertaining to your new Borla Performance exhaust system, please give us a call at the number provided on the warranty card.

**Minimum Required Tool List:**

**TOOLS:**

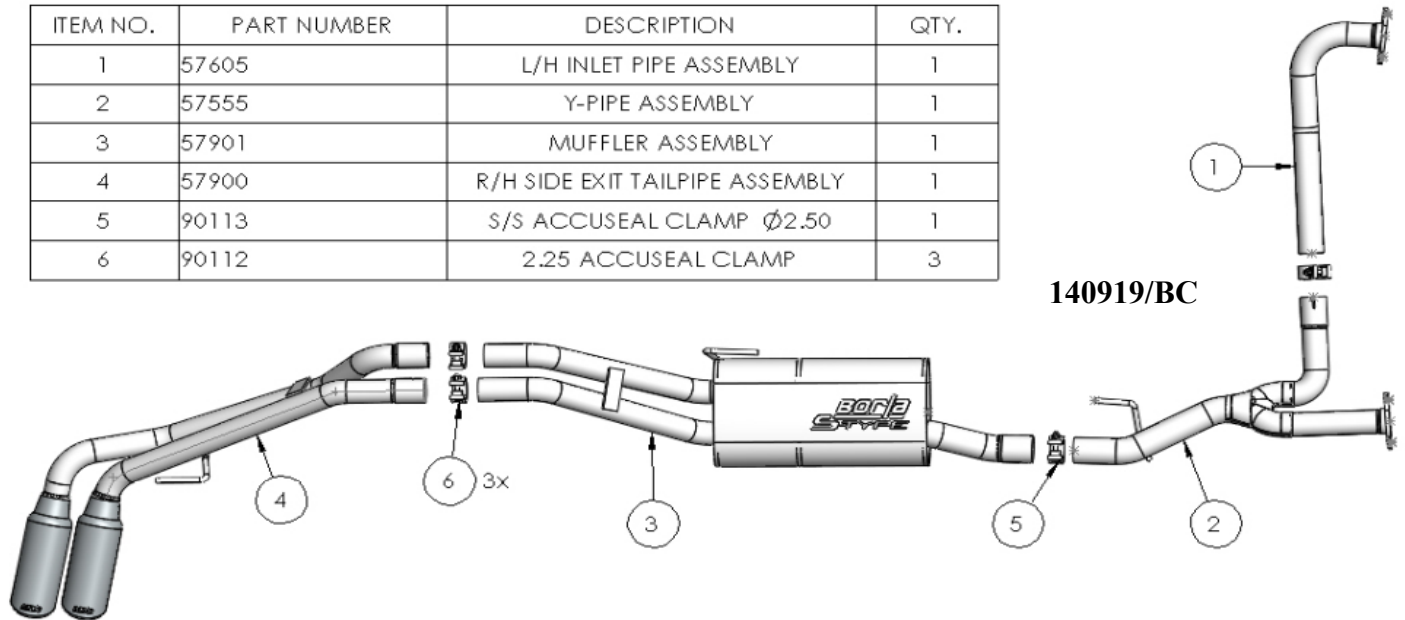
1. 3/8" drive ratchet
2. 3/8" drive extension 6"
3. 15mm deep well socket
4. 13mm socket
5. 10mm socket
6. Prybar

**SHOP SUPPLIES:**

1. Spray lubricant

**Borla Performance - Bill of Materials**

ITEM NO.	PART NUMBER	DESCRIPTION	QTY.
1	57605	L/H INLET PIPE ASSEMBLY	1
2	57555	Y-PIPE ASSEMBLY	1
3	57901	MUFFLER ASSEMBLY	1
4	57900	R/H SIDE EXIT TAILPIPE ASSEMBLY	1
5	90113	S/S ACCUSEAL CLAMP $\phi$ 2.50	1
6	90112	2.25 ACCUSEAL CLAMP	3



**Caution!!!** *Never work on a hot exhaust system. Serious injury in the form of burns can result if the vehicle has been in use and the exhaust system is hot, allow vehicle to cool for at least 1 hour. Always wear eye protection when working under any vehicle.*

*Note: It is our recommendation that you use a hoist or hydraulic lift to facilitate the installation of your new Borla Performance Exhaust System.*

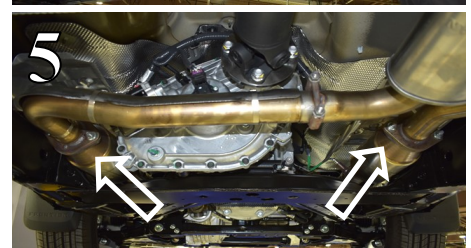
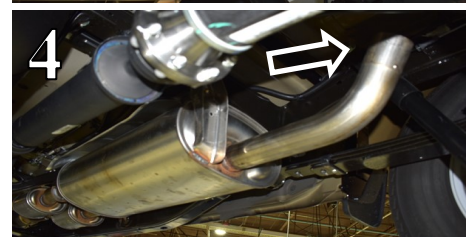
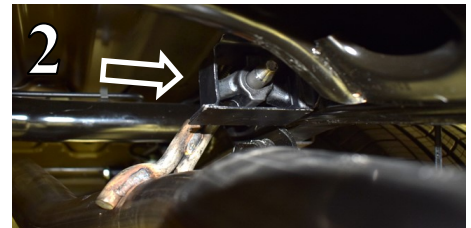
*Taking all under car safety precautions, lift the vehicle using a hoist or hydraulic lift. Once this has been done, you may begin the removal of your old exhaust system from your vehicle.*

*Note: Before removing the original exhaust system from your vehicle, please compare the parts you have received with the bill of materials provided on the previous page to assure that you have all the parts necessary for the installation of your new Borla Performance Exhaust System.*

*Note: With a used vehicle, we suggest a penetrating spray lubricant to be applied liberally to all exhaust fasteners and allowing a significant period of time for the chemical to lubricate the threads before attempting to disassemble.*

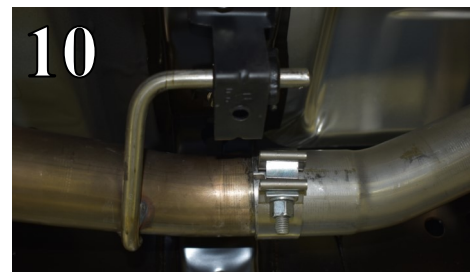
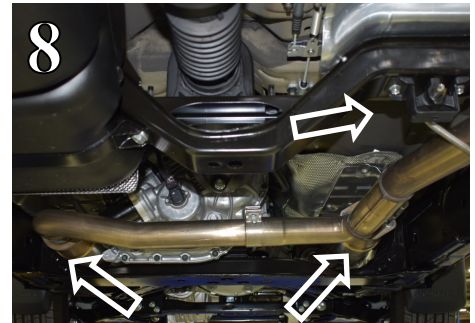
## Original Exhaust System Removal

1. Lubricate all hangers, rubber isolators, bolts and nuts.
2. Unbolt the tailpipe hanger bracket. (Figs. 1-2).
3. Remove clamp that connects the tailpipe to the muffler assembly and remove tailpipe along with the tailpipe hanger bracket. (Fig. 3-4).
4. Loosen and remove the nuts on the two flanges that are connected to the converters. You will reuse this hardware for the Borla system. (Fig. 5).
5. Carefully begin the removal of the original muffler assembly by pulling straight back on the muffler towards the rear of the vehicle. This will come off as one piece. There are two hangers on this assembly. (Fig. 6) .
6. Original exhaust system removed off of vehicle. (Fig. 7)



## Borla Performance Cat-Back™ Exhaust System Installation

1. Orient components on shop floor according to Borla bill of materials drawing on page 2.
2. Assemble front pipes before installing on car.
3. Once **Front Pipes** are assembled and clamp is installed loosely, insert front pipe hanger into the rubber isolator. Then proceed to loosely install the nuts onto each flange. (Fig. 8).
4. Place a clamp over the exposed end of the **Front Pipe**. Place expanded end of **Muffler Assembly** over the **Front Pipe**. Slide clamp over the expansion. Do not tighten clamp. (Figs. 9-11).
5. Replace **Tailpipe** hanger bracket onto the vehicle.
6. Place the **Tailpipe** hanger into the rubber isolator. There will be clearance for the sway bar link. (Fig. 12)





## Borla Performance Cat-Back™ Exhaust System Installation Cont'd

7. Place a clamp over each expanded inlet of the Tailpipe. Place the expanded inlets of the Tailpipe over the outlets on the Muffler Assembly. Do not tighten clamp. (Fig.13)
8. Verify there is at least 3" clearance between the spare tire and tailpipe. (Fig. 14)
9. Once position has been determined to be correct, tighten the Accuseal clamps to 32-35 ft. lbs.
10. Before starting your vehicle, make sure to check all wires, hoses, brake lines, body parts and tires for safe clearance from the exhaust system.
11. Borla system installed on vehicle. (Fig. 15-16).
12. Start the vehicle and check for any leaks. If any leaks are found, determine cause (such as loose or incorrectly positioned clamp) and repair as necessary.



**WARNING:** Use extreme caution during installation. Torque all fasteners according to manufacturer's torque values and tightening sequence. **DO NOT** use air impact tools to tighten fasteners on Borla Performance Exhaust Systems. Use of such tools may result in bent flanges or gasket contact areas leading to exhaust leaks.

**NOTE:** When you first start your vehicle after the installation of your new Borla Performance Exhaust System, there may be some smoke and fumes coming from the system. This is a protective oil based coating used in the manufacturing of mandrel bent performance exhaust tubing. This is not a problem and will disappear within a very short period of time after the exhaust has reached normal operating temperatures.